

# EW DIF 1250/2500W

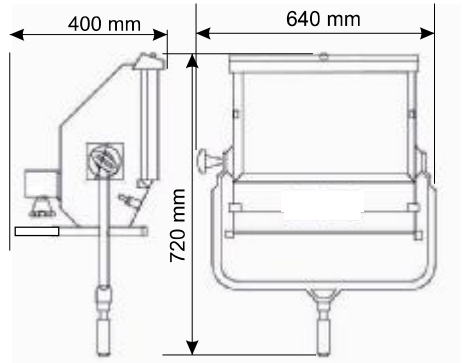
# EW DIF

### CONSTRUCTION:

The luminaire housing is simple construction, made of steel protected by plastic sheet, in black matte color. On the back there are air holes for cooling the lamp. These luminaires use two standard tungsten halogen bulb rods, 3200K temperature, 625W P2 / 10, 1000W P2 / 7 and 1250W P2 / 12, R7s headlamps

### SPECIFICATION:

Lamp	- P2/10, 625W, 230V, 3200K - P2/7, 1000W, 230V, 3200K - P2/12, 1250W, 230V, 3200K
Base	R7s
Reflectiv mirror	High shine
Control	M.O. - Manual operated; P.O. - Pole operated
Power supply	220V, 50Hz; Cable H05 3x2,5mm <sup>2</sup> , lenght 1m
Color	Matte black, termoresistant / by customer's request
Weight	12 kg
Packing	Cardboard box, dim: 680x420x730



### ACCESSORIES:

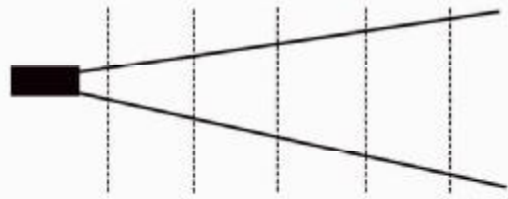
### REFERENCES:

Halogen lamp P2/12, 1250W, R7s	64751
Safety wire rope	8161
Spigot Ø28mm	8121

### PHOTOMETRIC DATA:

Data for lamp P2/12, 1250W, R7s

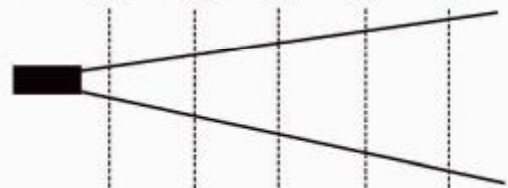
Distance (m)	2	3	4	5	6
Diameter Ø(m)	2.4	3.6	4.8	6.0	7.21
Illumination (lux)	2700	1200	675	432	300



### PHOTOMETRIC DATA:

Data for lamps 2 x P2/12, 1250W, R7s

Distance (m)	4	5	6	7	8
Diameter Ø(m)	5.0	6.24	7.5	8.75	10.0
Illumination (lux)	1562	1000	694	510	390



EW DIF 1250/2500 (M.O.) (P.O.) (REF. 3072)