

# EW SPOT 650W

# ES 65

### CONSTRUCTION:

The luminaire housing consists of the axial assembled channel plates, joined to door frame on the front side and the back base on the reverse side. The air gap between door and housing allows an additional natural ventilation granting extended life for lamps and lenses through all working positions. The characteristic of the lens and reflector dimensions allow the use of light bulbs 1000W (CP40), which enables the light of high intensity.

This type of luminaire has an excellent application when the power supply is via dimmer.

### SPECIFICATION

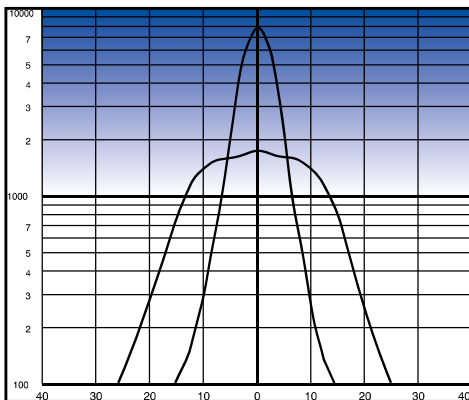
Lens	Fressnel Ø150
Lamp	Volfram halogen 230V; 3200°K CP39(650W); CP40(1000W)
Base	G 22
Focus control	M.O. - manual operated; P.O. - pole operated
Power supply	Cable H05 (H07) 3x2,5mm <sup>2</sup> , lenght 2m
Color	Black matte, termoresistant / by customer's request
Weight: MO-PO	7,3 - 8,3 kg (with barndoors)
Packing	Cardboard box, dim: 340x300x540



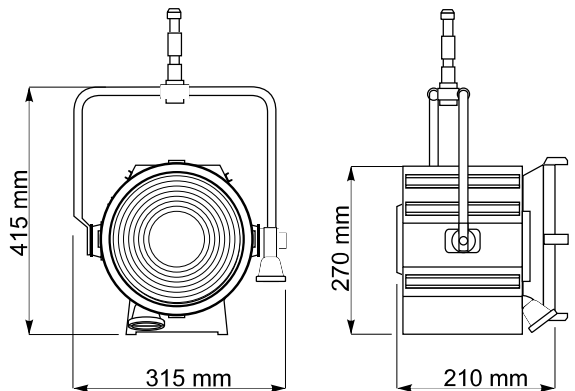
### PHOTOMETRIC DATA:

L (m)	Light center value (lux)		Beam angle 50% lighting		Beam angle 10% lighting	
	L <sub>nom</sub> (3m)					
3	7235	1820	7°55'	28°25'	15°10'	43°17'
4	4100	970	0,42 m	1,52 m	0,80 m	2,38 m
5	2600	605	0,75 m	2,7 m	1,55 m	3,6 m

- spot  
 - flood



\*Lamp CP39



### ACCESSORIES:

Four leaf rotating barndoor	65VO
Safety wire rope	8161
Color frame Ø 205/165	65PFA-01

### REFERENCES

**EW SPOT 650 M.O. (REF. ES 65 MO)**  
**EW SPOT 650 P.O. (REF. ES 65 PO)**