

EW SPOT 2000W

CONSTRUCTION:

The luminaire housing consists of the axial assembled channel plates, joined to door frame on the front side and the back base on the reverse side. The air gap between door and housing allows an additional natural ventilation granting extended life for lamps and lenses through all working positions.

This type of luminaire has an excellent application when the power supply is via dimmer.

SPECIFICATION

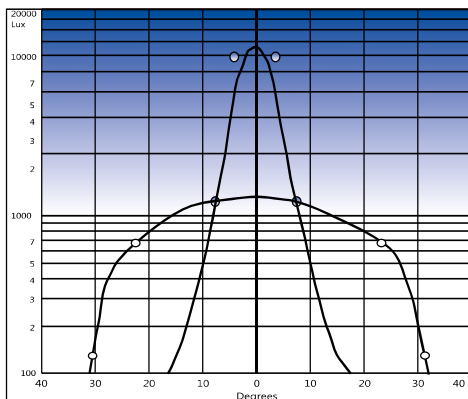
Lens	Fressnel Ø250
Lamp	Volfram halogen 230V; 3200°K; CP41/CP73(2000W)
Base	G 38
Focus control	M.O. - manuel operated; P.O. - pole operated
Power supply	Cable H05 (H07) 3x2.5mm ² , lenght 2m
Color	black mat. termoresistant / by customer's choice
Weight: MO-PO	13 - 14 kg (with barndoor)
Packing	Cardboard box, dim: 430x500x680



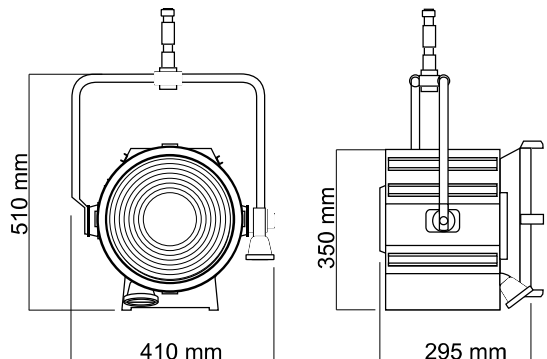
PHOTOMETRIC DATA:

L (m)	Light center valeu (lux)		Beam angle 50% lighting		Beam angle 10% lighting	
	L _{50%} (5m)	1306	8°	44°35'	15°26'	61°45'
8	19150	2180	0.56 m	3.38 m	1.11 m	4.84 m
10	11500	1306	0.7 m	4.1 m	1.36 m	5.98 m
12	5190	616	1.04 m	6.8 m	2.7 m	9 m

- spot
- flood



*Lamp CP73



ACCESSORIES:

Four leaf rotating barndoor
Safety wire rope
Color frame Ø 310/280

REFERENCES

20VO
8161
20PFA-01

EW SPOT 2000 M.O. (REF. ES 20 MO)
EW SPOT 2000 P.O. (REF. ES 20 PO)